

C E L E B R A T I N G



PRICES EFFECTIVE  
APRIL 1 - JUNE 30, 2022



SPRING  
PRODUCT GUIDE

# HOT BUYS

☆ WHILE SUPPLIES LAST ☆



DeWALT

**8" 2X Long Life Metal-Cutting Reciprocating Saw Blade, 14/18 TPI**

#DWA4188B

**\$2.19**



DeWALT

**Metal-Cutting Bi-Metal Reciprocating Saw Blades**

Item #	Size	Price
RB618DW	6" 18 TPI	\$1.21
RB814DW	8" 14 TPI	\$1.66
RB1218DW	12" 18 TPI	\$2.46



Milwaukee

**6" WRECKER™ Multi-Material SAWZALL® Blade, 7/11 TPI**

#48-01-7701

**\$1.74**



GREENLEE

**Gorilla™ Pistol Grip Pressing Tool Kit w/ Charger, 2 Batteries and 6 Jaws**

#PSTLP-KIT001

**\$2,600**



UNIWELO

**RV80 Series Heavy-Duty Single Stage Regulators**

Item #	Type	Price
RV8010	Oxygen, 5-125 PSIG	\$122.50
RV8011	Acetylene, 2-15 PSIG	\$122.50
RV8012	LPG & All Fuel Gas, 2-15 PSIG	\$122.50



UNIWELO

**Victor Style Hand Cutting Torches and Rear Lever**

#831-17	17" w/ 75°	\$149.99
#830-21	21" w/ 90°	\$159.99



Westinghouse

**Portable Gas-Powered Generator**

- 8,000 watt running, 10,000 watt starting
- Remote electric start
- 420cc SD Single
- Smart idle automatically adjusts idle based on demand

#8KPRO

**\$1199.00**



Miller

**Digital Infinity™ Stars and Stripes™ Welding Helmet**

- Includes:
- (5) Outside cover lenses
  - (2) Inside cover lenses
  - Helmet bag
  - Clip-on top comfort cushion

#280049

**\$306.99**



CHAN NEL LOCK

**4.5" Straight Jaw Tongue and Groove Pliers**

#424G

**\$9.35**



Makita

**4,000 RPM Drywall Screwdriver w/ 50' Cord**

#FS4200A

**\$66.30**



RADISON

**Non-Rated Safety Vest w/ 1" Reflective Tape, Orange or Green, Fits Small to X-Large**

#V81007 Orange  
#V81008 Green

**\$3.25**



GloWear

**GloWear 8003 Hi-Vis Arm + Leg Band, Buckle Closure, Lime**

#29033

**\$4.45**



SUMNER

**2" Hydraulic Flange Spreader**

- 10 ton flange splitter to tackle the tough jobs
- Spreader arms adjust from 2-3/4" to 8-1/2"
- Spring return, single action cylinder
- Hardened wedge for safe splitting

#784004

**\$723.65**



Atlas Copco

**1" Drive D-Handle Impact Wrench**

- 3,282 ft/lbs max torque
- High power-to-weight ratio
- Durable metal housings
- Soft start throttle

#LMS68-GIR25

**\$2,399.00**



RANDOM PRODUCTS, INC.

**6" x .045" x 7/8" PFX Type 27 Cut-Off Wheel, 25 Per Box**

- Special PFX formula designed to cut aluminum and other non-ferrous metals

#R80186-H

**\$2.47**



metabo

**9" 36V Angle Grinder Kit w/ Charger and 2 Batteries**

- Largest angle grinder with battery operation
- Powerful separating and roughing independent of a power source
- Cutting depth of 3"

#MET-WPB36-LTXBL230

**\$924.00**





**Beamer® 2000 Fall Arrest Anchor Point**  
 #GF-00102 **\$198.00**  
 • Fits beams 3.5" – 14" wide



**Bolt Hole Anchor**  
 #GF-00230 **\$211.50**



**11' Halo Series Web SRL w/ Steel Snap Hook**  
 #GF-10900 **\$177**



**20' & 30' Halo Series Cable SRL w/ Galvanized Steel Lifeline**  
 #GF-10910 20 ft **\$557.25**  
 #GF-10915 30 ft **\$567.75**



**Beamer® Large Beam Clamp**  
 #GF-00130 **\$406.00**  
 • Fits beams 12" – 24" wide



**G-Bolt Concrete Anchor**  
 #GF-00235 **\$145.75**



**20' Halo Series Cable SRL Leading Edge, Galvanized Steel Cable**  
 #GF-10920 20 ft **\$698.00**  
 #GF-10925 30 ft **\$718.75**



**8' Diablo SRL Leading Edge Retractable, Steel Swivel Snap Hook, Galvanized Steel Cable**  
 #GF-11070 **\$304.00**



**8' Double Diablo SRL Leading Edge Retractable, Steel Snap Hook, Galvanized Steel Cable**  
 #GF-11104 **\$185.00**



**GR6 Web SRL Single, Steel Snap Hook**  
 • 6 ft  
 • Class A  
 #GF-32000 **\$146.00**



**Cable Choker Anchor, Vinyl-Coated Galvanized Steel, 2-1/2" & 3" O-Ring Ends**

Item #	Size	Price
GF-10450	3 ft	<b>\$50.75</b>
GF-10452	6 ft	<b>\$53.75</b>
GF-10450-8	8 ft	<b>\$73.50</b>



**Premium Cross Arm Strap, Polyester and Galvanized Steel**

Item #	Length	Price
GF-10785	3 ft	<b>\$30.25</b>
GF-10787	6 ft	<b>\$40.75</b>
GF-10790	10 ft	<b>\$60.00</b>
GF-10792	15 ft	<b>\$80.75</b>
GF-10793	20 ft	<b>\$86.00</b>



**Series 1 Full Body Harness**  
 • Chest pass-through  
 • Leg tongue buckles

Item #	Size	Price
GF-37004	XS - S	<b>\$50.50</b>
GF-37005	M - L	<b>\$50.50</b>
GF-37006	XL - XXL	<b>\$52.50</b>



**Series 3 Full Body Harness**  
 • Leg tongue buckles  
 • Waist pad with side D rings

Item #	Size	Price
GF-37192	XS - S	<b>\$123.75</b>
GF-37193	M - L	<b>\$123.75</b>
GF-37194	XL - XXL	<b>\$126.00</b>



## M18™ Six Pack Sequential Charger

#48-59-1806

**\$129**

- Charges up to six batteries sequentially
- Convenient carrying handle
- Pass through plug
- Compact size



## M18™ & M12™ Multi-Voltage Charger

#48-59-1812

**\$59**

- Quickly charges all M12™ and M18™ battery packs
- Charger communicates with the battery pack to ensure a full charge and battery protection



## M18™ 2 Gallon Wet/Dry Vacuum

#0880-20

**\$125**

- Includes:
- (1) M18™ 2-Gallon Wet/Dry Vacuum
  - (1) 6' Flexible hose
  - (1) Crevice tool
  - (1) Utility nozzle
  - (1) HEPA filter



## 1/2" HOLE HAWG® Drill Kit, 300/1200 RPM

#1676-6

**\$335**

- Includes:
- (1) 1/2" HOLE HAWG® Drill 300/1200 RPM
  - (1) Pipe handle
  - (1) Carrying case



## M18™ ROCKET™ Dual Power Tower Light

#2131-20

**\$192**

- Dual Power: Powered by an M18™ battery or extension cord
- 2,500 lumens of TRUEVIEW™ high definition output



## M18™ ROCKET™ Tower Light/Charger

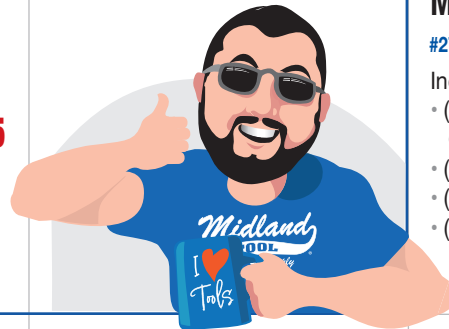
#2136-20

**\$375**

- Dual Power: Powered by an M18™ battery or extension cord
- 6,000 lumens of TRUEVIEW™ high definition output

### Vinnie, Product Specialist

"Our company had to use Milwaukee's ROCKET™ Tower lights during a power outage, and they may have been brighter than our normal office lighting."



## M18 FUEL™ 16" Chainsaw Kit

#2727-21HD

**\$499**

- Includes:
- (1) M18 REDLITHIUM™ HIGH OUTPUT™ HD12.0 Battery Pack
  - (1) M18™ & M12™ Rapid Charger
  - (1) 16" Oregon Bar
  - (1) Sprocket



## M18 FUEL™ Blower Kit

#2724-21HD

**\$319**

- Includes:
- (1) M18 FUEL™ Blower
  - (1) M18™ REDLITHIUM™ HIGH OUTPUT™ XC8.0 Battery Pack
  - (1) M18™ & M12™ Rapid Charger



## M18 FUEL™ 1/2" Compact Impact Wrench w/ Friction Ring Kit

#2855-22

**\$392**

- Includes:
- (1) M18 FUEL 1/2" Compact Impact Wrench with Friction Ring (Bare Tool)
  - (2) M18™ REDLITHIUM™ XC5.0 Extended Capacity Battery Packs
  - (1) Carrying case



## M18 FUEL™ 1/2" High Torque Impact Wrench w/ Friction Ring (Tool Only)

#2767-20

**\$235**

- Removes high torque fasteners up to 2X faster than the competition
- Most compact cordless high torque impact wrench in its class
- 4-mode drive control with bolt removal mode



## M18 FUEL™ 1/2" High Torque Impact Wrench w/ Friction Ring Kit

#2767-22

**\$449**

- Includes:
- (2) M18™ REDLITHIUM™ XC5.0 Extended Capacity Battery Packs
  - (1) M18™ & M12™ Multi-Voltage Charger



## M18 FUEL™ 1/2" Drill/Driver Kit

#2803-22 **\$299**

- Includes:
- (1) M18 FUEL™ 1/2" Drill Driver
  - (2) M18™ REDLITHIUM™ XC5.0 Extended Capacity Battery Packs
  - (1) M18™ & M12™ Multi-Voltage Charger
  - (1) Carrying case
  - (1) Side handle & belt clip
  - (1) Bit holder



## M18 FUEL™ HOLE HAWG® 1/2" Right Angle Drill Kit

#2807-22 **\$579**

- Includes:
- (2) M18™ & M12™ Rapid Charger
  - (1) M18™ REDLITHIUM™ HIGH OUTPUT™ XC6.0 Battery Packs
  - (1) Contractor bag
  - (1) Chuck key

### Vinnie, Product Specialist

"When paired with M18™ REDLITHIUM™ HIGH OUTPUT™ 6.0 Ah Batteries, the new M18 FUEL™ HOLE HAWG® drills up to (220) 7/8" holes on a single charge, increasing productivity and reducing downtime."



## M18 FUEL™ SAWZALL® Reciprocating Saw (Tool Only)

#2821-20 **\$189**

- Most durable SAWZALL® reciprocating saw
- Fastest cutting in class
- Lighter weight, less fatigue



## M18 FUEL™ SAWZALL® Reciprocating Saw Kit

#2821-22 **\$419**

- Includes:
- (2) M18™ REDLITHIUM™ XC5.0 Extended Capacity Battery Packs
  - (1) M18™ & M12™ Multi-Voltage Charger



## M12™ Sub-Compact Band Saw (Tool Only)

#2429-20 **\$169**

- Powerful Motor: Cuts 3/4" EMT in 3 seconds and provides up to 150 cuts per charge with the XC battery
- 1-5/8" cut capacity for a wide range of applications



## M18 FUEL™ Compact Band Saw Kit

#2829-22 **\$469**

- Includes:
- (1) Extreme Thick Metal 8/10 TPI Band Saw Blade
  - (2) M18™ REDLITHIUM HIGH OUTPUT™ CP3.0 Battery Packs
  - (1) M18™ & M12™ Rapid Charger



## M18 FUEL™ Pipe Threader w/ One-Key™ Kit

#2874-22HD **\$1,599**

- Includes:
- (2) M18 REDLITHIUM HIGH OUTPUT™ HD 12.0 Battery Packs
  - (1) M18 & M12™ Rapid Charger
  - (1) Threading support arm
  - (1) Carrying case



## M18 FUEL™ 1" SDS Plus Rotary Hammer Kit w/ Dust Extractor

#2912-22DE **\$679**

- Includes:
- (1) M18 FUEL 1" SDS Plus Rotary Hammer
  - (2) M18 REDLITHIUM™ HIGH OUTPUT™ XC6.0 Battery Packs
  - (1) M18™ & M12™ Rapid Charger
  - (1) M18 FUEL™ HAMMERCAP™ 1" Dedicated Dust Extractor

### Vinnie, Product Specialist

"The MILWAUKEE® M18 FUEL™ 1" SDS Plus Rotary Hammer is the fastest at drilling in its class. It features AUTOSTOP™ Control for enhanced safety, and can drill up to (125) 3/8" x 2" holes per charge when paired with the M18™ HIGH OUTPUT™ XC6.0 Battery."



## M18 FUEL™ 2-Tool Combo Kit

#2997-22 **\$415**

- Includes:
- (1) M18 FUEL™ 1/2" Hammer Drill/Driver
  - (1) M18 FUEL™ 1/4" Hex Impact Driver
  - (2) M18™ REDLITHIUM™ XC5.0 Extended Capacity Battery Packs
  - (1) M18™ & M12™ Multi-Voltage Charger
  - (1) Carrying case



## M18 FUEL™ 2-Tool Combo Kit

#2894-22 **\$479**

- Includes:
- (1) M18 FUEL™ 1/2" Hammer Drill/Driver
  - (1) M18 FUEL™ SAWZALL® Reciprocating Saw
  - (2) M18™ REDLITHIUM™ XC5.0 Extended Capacity Battery Packs
  - (1) M18™ & M12™ Multi-Voltage Charger
  - (1) Belt clip, (1) bit holder and (1) side handle
  - (1) SAWZALL® blade
  - (1) Contractor bag





## FLEXVOLT® 60V MAX\* 4-1/2" to 6" Brushless Grinder w/ Kickback Brake Kit

#DCG418X2

**\$487**

Includes:

- (1) 4-1/2" Type 27 Guard and (1) 6" Type 27 Guard
- (1) Charger
- (1) Side handle, (1) wrench and (2) flanges
- (1) Kit bag



## FLEXVOLT® 60V MAX\* Pipe Threader Kit

#DCE700X2

**\$1,679**

Includes:

- (1) 60V MAX\* Pipe Threader
- (1) Pipe clamp
- (2) FLEXVOLT® 20V/60V MAX\* 9.0 Ah Oil-Resistant Batteries
- (1) 20V/60V MAX\* Fast Charger
- (1) Kit box and (1) kit bag



## FLEXVOLT® 60V MAX\* Brushless Reciprocating Saw Kit

#DCS389X2

**\$487**

Includes:

- (1) 60V MAX\* Brushless Cordless Reciprocating Saw
- (1) Blade and (1) charger
- (2) FLEXVOLT® 20/60V MAX\* 9.0 Ah Batteries
- (1) Kit bag



## FLEXVOLT® 60V MAX\* 7-1/4" Brushless Circular Saw w/ Brake Kit

#DCS578X2

**\$487**

Includes:

- (1) 60V MAX\* Brushless 7-1/2" Cordless Circular Saw
- (1) Blade and (1) blade wrench
- (1) Charger
- (2) FLEXVOLT® 20/60V MAX\* 9.0 Ah Batteries
- (1) Kit bag



## 60V MAX\* 9" Brushless Cut-Off Saw Kit

#DCS690X2

**\$892**

Includes:

- (1) 60V MAX\* 9" Cut-Off Saw
- (2) FLEXVOLT® 20/60V MAX\* 9.0 Ah Batteries
- (1) Cutting wheel
- (1) Diamond cutting wheel
- (1) Fast charger



## ATOMIC 20V MAX\* 5/8" Brushless SDS Plus Rotary Hammer Kit

#DCH172D2

**\$349**

Includes:

- (1) Atomic 20V MAX\* Rotary Hammer 5/8" SDS Plus
- (2) 20V MAX\* 2.0 Ah Batteries
- (1) Charger
- (1) 360° side handle
- (1) Depth rod, (1) belt hook and (1) kit box



## 20V MAX\* XR® 1/4" 3-Speed Impact Driver Kit

#DCF887M2

**\$310**

Includes:

- (1) Brushless 1/4" 3-Speed Impact Driver
- (2) 20V MAX\* XR® 4.0 Ah Batteries
- (1) Fast charger
- (1) Belt hook



## 20V MAX\* 1/2" Cordless Impact Wrench w/ Hog Ring Anvil Kit

#DCF911P2

**\$395**

Includes:

- (1) Impact Wrench
- (1) Charger
- (2) 20V MAX\* XR® 5.0 Ah Batteries
- (1) Kit bag
- (1) Belt clip



## FLEXVOLT® 20V/60V MAX\* 6.0 Ah Battery

#DCB606

**\$169**

- Tri-platform compatibility 20V MAX\*, 60V MAX\* and 120V MAX\*
- LED state of charge display
- Durable construction with a single piece cell holder



## FLEXVOLT® 20V/60V MAX\* 6.0 Ah Batteries, 2 Pack

#DCB606-2

**\$249.99**

- Tri-platform compatibility 20V MAX\*, 60V MAX\* and 120V MAX\*
- LED state of charge display
- Durable construction with a single piece cell holder



## FLEXVOLT® 20V/60V MAX\* 9.0 Ah Batteries, 2 Pack

#DCB609-2

**\$327.50**

- 180-watt hours of energy in each battery pack (360 watt hours combined)
- Compatible with all 20V MAX\*, 60V MAX\* and 120V MAX\* tools
- LED state of charge display



## 4 Port Simultaneous Fast Charger, 20V/60V

#DCB104

**\$252**

- Simultaneous Charger: All ports charge at the same time
- Charges 12V MAX\*, 20V MAX\*, and FLEXVOLT® 20V/60V MAX\* batteries
- 8 amps output per port (simultaneously)

## 120XP™ Micrometer Torque Wrenches

**FIXED HEAD**



Dual Scales, Metric and SA

High definition scale markings are easier to read

Knurled aluminum grip, midpoint marked for accuracy

Double-stacked pawls engage a 60-tooth gear providing exceptional strength, exceeding ASME specifications

Pull back locking collar

Injection molded cases with removable lits for convenient storage

Vinnie, Product Specialist

“The 120XP head provides a 3° ratcheting arc to tighten fasteners in the toughest spots.”



Item #	Drive Size	Head Style	in/lb Range	Primary Scale Increments	Alternate Scale Range	Alternate Scale Increments	Tooth Count	Head Thickness	Overall Length	Price
85176	3/8"	Standard	10-100 ft/lb	1 ft/lb	20-142 Nm	1.4 Nm	60T/120 pos.	0.55	18.35"	<b>\$225.00</b>
85181	1/2"	Standard	30-250 ft/lb	2 ft/lb	54-353 Nm	2.7 Nm	60T/120 pos.	0.75	24.875"	<b>\$279.00</b>

## Micrometer Torque Wrenches

Accurate in clockwise direction  
+/-3% from 20% to 100% full scale

Meets or exceeds  
ASME B 107.300

Non-slip metal knurled handle provides secure gripping power



Thin profile, sealed tear-drop head design for access and durability

Scale markings are highly visible and easy to read

Pull back locking collar



Item #	Drive Size	Head Style	in/lb Range	Primary Scale Increments	Alternate Scale Range	Alternate Scale Increments	Tooth Count	Head Thickness	Overall Length	Price
85062	3/8"	Standard	10-100 ft/lb	1 ft/lb	20-142 Nm	1 Nm	30	0.72"	18"	<b>\$169.00</b>
85066	1/2"	Standard	30-250 ft/lb	2 ft/lb	54-353 Nm	3 Nm	32	0.81"	24.3"	<b>\$184.00</b>
85065	3/4"	Standard	100-600 ft/lb	2.5 ft/lb	-	3.4 Nm	36	1.14"	42.4"	<b>\$959.00</b>
85068	1"	Standard	200-1000 ft/lb	5 ft/lb	-	5 Nm	32	2.3"	73"	<b>\$1,829.00</b>

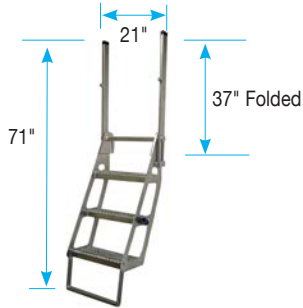
## 12 Piece Open End Interchangeable Torque Wrench Sets

- 14mm - 18mm adapter size
- 1 Year Limited Warranty: Calibration accuracy warranted for 90 days
- Knurled aluminum handle lets you grip comfortably
- Packaged in a blow molded case



Item #	Type	Drive Size	Head Style	Adapter Size	Torque Range		Tool Accuracy	Set Count	Price
					Primary Scale	Alt Scale			
89452	SAE	3/8"	Standard	1 ft/lb	20-142 Nm	15-74 Nm	+/- 3% Clockwise	12 pieces	<b>\$409.00</b>
89453	Metric	1/2"	Standard	2 ft/lb	54-353 Nm	15-74 Nm	60T/120 pos.	12 pieces	<b>\$389.00</b>

# Ladders



## Trucker I® Semi-Truck Flat Bed Safety Ladder

- Can be attached anywhere in the stake pockets or rub rail of the trailer, or mounted with a steel bracket
- Folds together for compact and convenient storage
- Helps decrease the chance of injury or strain

Item #	Price	Material	Load Capacity	Weight
I-6900	\$710	Aluminum	375 lbs	22 lbs



## 3' Fiberglass Work Stand

- Slip-resistant serrated surface is 28" wide and 8" deep
- Pinch free spreaders

Item #	Price	Size	Load Capacity	Duty Rating
TW6203	\$212	3 ft	300 lbs	ANSI Type IA



## Series FS1500 Fiberglass Step Ladders w/ Raptor Top™

- Raptor Top™ features multiple tool slots and magnets
- Raptor Boot™ with slip-resistant non-marring bonded tread

Item #	Price	Size	Load Capacity	Duty Rating	Weight
FSL04	\$91	4 ft	300 lbs	ANSI Type IA	14 lbs
FSL06	\$116	6 ft			20 lbs
FSL08	\$156	8 ft			26 lbs
FSL10	\$230	10 ft			38 lbs
FSL12	\$282	12 ft			46 lbs



## Series FS1300HD Fiberglass Step Ladders

- Double-rivet step construction with heavy gauge metal top
- Slip-resistant boot
- Heavy-duty gusset bracing

Item #	Price	Size	Capacity	Duty Rating	Weight
FS1308HD	\$204	8 ft	375 lbs	ANSI Type IAA	21 lbs
FS1310HD	\$278	10 ft			28 lbs
FS1312HD	\$345	12 ft			40 lbs



## Series FS1500 Cross Step Fiberglass Step Ladders

Item #	Price	Size	Capacity	Duty Rating	Weight
FXS1504	\$95.00	4 ft	300 lbs	ANSI Type IAA	15 lbs
FXS1506	\$122.00	6 ft			21 lbs
FXS1508	\$164.00	8 ft			28 lbs
FXS1510	\$242.00	10 ft			39 lbs
FXS1512	\$295.00	12 ft			48 lbs



### Vinnie, Product Specialist

"No more OSDHA fine due to missed safety ratings. The Series FXS1500's HiVis green top and shoes make them easily identifiable on the job-site. This ladder also converts from a step ladder into a shelf ladder with Louisville's patented ProTop™ tray."



# Ladders



## Series FXP1700 Fiberglass Pinnacle Pro Platform Ladders w/ ProTop™

- 30" tall extended handrail from top to platform
- 30% larger platform area for added comfort and safety
- ProTop™ features multiple tool slots and magnets
- Raptor Boot™ with slip-resistant non-marring bonded tread

Item #	Price	Size	Load Capacity	Duty Rating	Weight
FXP1704	\$172	4 ft	300 lbs	ANSI Type IA	24 lbs
FXP1706	\$208	6 ft			31 lbs
FXP1708	\$274	8 ft			48 lbs
FXP1710	\$332	10 ft			60 lbs
FXP1712	\$421	12 ft			73 lbs



## Series FE3100 Fiberglass Straight Ladders

- Steel swivel safety shoe with metal shield
- Mar-resistant rail end caps
- Direct rung-rail connection
- D-shaped rungs

Item #	Price	Size	Load Capacity	Duty Rating	Weight
FE3108-STRAIGHT	\$120	8 ft	300 lbs	ANSI Type IA	16 lbs
FE3110-STRAIGHT	\$135	10 ft			21 lbs
FE3112-STRAIGHT	\$148	12 ft			25 lbs



## Series FE8900 Fiberglass Trench Ladders

- Narrow width design is ideal for working in manholes
- 3-foot plastic rail protectors to avoid manhole rim damage
- 18° heavy-duty boots to work on either side of the ladder
- Thick non-marring thermoplastic elastomer tread
- Polypropylene copolymer upper boot provides strength and durability
- Slip-resistant round rungs

Item #	Price	Total Length	Load Capacity	Duty Rating	Weight
FSL08-STRAIGHT	\$149	8 ft	300 lbs	ANSI Type IAA	17.5 lbs
FSL10-STRAIGHT	\$167	10 ft			21 lbs



## Series FE3200 Fiberglass Extension Ladders

- Patented Quicklatch runglock system
- Steel swivel safety shoe with metal shield
- Direct rung-rail connection
- Outside slide guides
- Mar-resistant rail end caps
- D-shaped rungs

Item #	Price	Total Length	Length Each Section	Load Capacity	Duty Rating	Weight
FEL16	\$222	16 ft	8 ft	300 lbs	ANSI Type IA	31 lbs
FEL20	\$252	20 ft	10 ft			42 lbs
FEL24	\$292	24 ft	12 ft			51 lbs
FEL28	\$344	28 ft	14 ft			60 lbs
FEL32	\$428	32 ft	16 ft			67 lbs
FEL40	\$545	40 ft	20 ft	92 lbs		

# Heat Stress



**Hard Hat Sun Shade, Blue**

#898-BLUE

**\$12.10**

- 80% polyester/20% cotton twill
- Fits regular brim hard hats



**MiraCool® Hard Hat Cooling Pad**

#RHFUB968

**\$4.98**

- Fastens with hook & loop closure
- Activates in 10-15 minutes



**Classic Folding Picnic Table**

#PICTBL

**\$253.00**

- Seats 8
- Dimensions when open: 72" L x 30" W x 29" H



**SHAX® 6010 Lightweight Pop-Up Tent, 10 ft x 10 ft**

#12910

**\$230.00**

- Hi-vis green with reflective accents
- Meets CPAI-84 flame resistance code



Lasko

**Box Fan**

#SS0004

**\$28.50**

- 3-Speed
- 20"



**Floor Fan**

#2264QM

**\$73.00**

- High velocity
- 20"



IGLOO

**Rolling Cube Cooler, 60 Quart**

#285465

**\$69.00**

- Ultratherm® body keeps cold for a long time



IGLOO

**Heat Stress Beverage Dispensers / Coolers**

5 Gallons

#48153

**\$49.00**

10 Gallons

#00048154

**\$73.00**



IGLOO

**MaxCold Cooler, 150 Quart**

#307148

**\$165.00**

- Ultratherm® insulation in body and lid holds ice up to 7 days



# Heat Stress



## Qwik Stik™ Zero Powder Drink Mix, Case

- #SQ060200 Orange
- #SQ060201 Mixed Berry
- #SQ060202 Fruit Punch
- #SQ060203 Lemonade
- #SQ060204 Grape

**\$125.00**

- 500 packets per case
- Each packet yields (1) 20 oz serving



## Fast Pack® Single Serve Liquid Concentrate Drink Mix Packets, Case

- #SQ015300 Mixed Berry
- #SQ015302 Grape
- #SQ015303 Lemonade
- #SQ015304 Orange
- #SQ015305 Fruit Punch
- #SQ015308 Lemon-Lime

**\$74.95**

- 200 packets per case
- Each packet yields (1) 6 oz serving
- The pack is your cup! Just add water.



## Liquid Concentrate Drink Mix, Case

- #SQ030322 Grape
- #SQ030323 Lemonade
- #SQ030324 Orange
- #SQ030325 Fruit Punch
- #SQ030328 Lemon-Lime
- #SQ030329 Tropical Cooler

**\$65.00**

- (6) 64 oz bottles per case
- Each bottle yields 5 gallons



## Squeeze™ Electrolyte Freezer Pops, Case

- #SQ159200201
  - #SQ159200231 Zero Sugar Free
- \$49.95** **\$49.95**

- (150) 3 oz pops per case
- Assorted Flavors: Cherry, grape, lemon-lime, mixed berry & orange



## Bottled Water, Case

- #PREASW
- \$4.70**  
per case

- (24) 10 oz bottles per case
- (126) cases per pallet



## Chill-Its® 6603 Evaporative Cooling Band, 4" x 29.5"

- #ER-6603
- \$3.90**

- Hyper-evaporative PVA easily activates with water and provides up to four hours of cooling



## Chill-Its® 6602 Evaporative Cooling Towel, 13" x 29.5"

- #E12420
- \$7.50**

- Hyper-evaporative PVA easily activates with water and provides up to four hours of cooling



## Chill-Its® 6615 High Performance Dew Rag, Stars & Stripes

- #E12477
- \$5.50**

- Hi Cool performance fabric transfers moisture away to keep workers cool and dry



## Chill-Its® 6660 Hard Hat Brim with Sun Shade, Hi-Vis Orange

- #ERG-12641
- \$10.50**

- 100% polyester does not weigh down hard hats
- Elastic rim plus hook & loop



## 4200 Series AirWave N95 Particulate Respirator, Medium/Large, 10 Masks

- Exclusive easy-breathing wave design
- Less resistance, better breathability
- Dura-Mesh shell resists collapsing in heat and humidity

#MO-4200

**\$21.25**



## 2200 Series N95 Particulate Respirator, Medium/Large, 20 Masks

- Dura-Mesh® shell resists collapsing in heat and humidity
- Molded nose bridge seals easily without a metal noseband
- Facepiece is naturally contoured for less pressure

#MO-2200

**\$25.50**



## 4800 Series AirWave N95 Particulate Respirator w/ SmartStrap® and Full Foam Face Seal, Medium/Large, 8 Masks

- Added carbon layer helps filter out nuisance levels of ozone and organic vapors (less than OSHA PEL)

#MO-4800

**\$51.50**



## SparkPlugs Earplugs Cannister, 40 Pairs

- Highest independently tested NRR
- Convenient personal supply of earplugs
- Extra-soft, low-pressure foam for comfort and fit

#MO-6684

**\$10.25**



## SparkPlugs EcoStation® Copper Antimicrobial Ear Plug Dispenser Starter Kit

Includes:

- (1) EcoStation® (500 Earplugs)
- Helps inhibit buildup and growth of bacteria

#MO-6933

**\$87.50**



## SparkPlugs EcoStation® Touchless Dispenser Promo Kit w/ 500 Earplugs

Includes:

- (1) EcoStation® (500 Earplugs)
- (1) Refill
- (1) Magnetic mounting bracket
- Automatic dispenser is more hygienic due to no-touch points

#MO-6834

**\$119.00**

### Vinnie, Product Specialist

"Keep the transfer of bacteria to a minimum and workers healthy with either the AntiMicrobial copper dispenser or the new touch free dispenser!"



## Magnetic Mounting Bracket for PlugStation® and EcoStation®

- Attach magnetic bracket to any metallic surface, such as supply cabinets, snack machines, lockers or job boxes
- Using a mounted PlugStation or EcoStation® dispenser increases the likelihood that workers take only one pair of ear plugs at a time

#MO-6868

**\$14.50**



## SparkPlugs® Corded Earplugs, 100 Pairs

- Highest independently tested NRR
- Extra-soft, low-pressure foam for comfort and fit
- Tapered shape for easy insertion and removal

#MO-6654

**\$32.50**



## SparkPlugs® Uncorded Earplugs, 200 Pairs

- Highest independently tested NRR
- Extra-soft, low-pressure foam for comfort and fit
- Tapered shape for easy insertion and removal

#MO-6604

**\$32.50**



## Meteors® Corded Earplugs, 100 Pairs

- Highest independently tested NRR 33
- Soft, slow recovery foam and contoured shape
- Follows the shape of the ear canal

#MO-6970

**\$37.00**



## Meteors® Uncorded Earplugs, 200 Pairs

- Highest independently tested NRR 33
- Soft, slow recovery foam and contoured shape
- Follows the shape of the ear canal

#MO-6870

**\$37.00**



# Safety

Vinnie, Product Specialist  
 "We can cover all of your safety needs. From gloves, glasses and first kits, to fall protection and custom or logoed vests and fire-resistant gear."



**MaxiFlex® Ultimate™ Seamless Knit Nitrile Coated Gloves, ANSI A1, Grey/Black**

Item #	Size	Price
34-874/XS	X-Small	\$47.00
34-874/S	Small	\$47.00
34-874/M	Medium	\$47.00
34-874/L	Large	\$47.00
34-874/XL	X-Large	\$47.00
34-874/XXL	XX-Large	\$47.00



**ExtraFlex Foam Nitrile Coated Cut Resistant Gloves, ANSI A3, Vi-His Yellow**

Item #	Size	Price
04-300HV/S	Small	\$66.00
04-300HV/M	Medium	\$66.00
04-300HV/L	Large	\$66.00
04-300HV/XL	X-Large	\$66.00
04-300HV/XXL	XX-Large	\$66.00



**ProFlex 7041 Nitrile-Coated Cut-Resistant Gloves, ANSI A4, Hi-Vis Lime**

Item #	Size	Price
ER-17813	Medium	\$100.00
ER-17814	Large	\$100.00
ER-17816	X-Large	\$100.00
ER-17817	XX-Large	\$100.00



**Bulldog™ Safety Glasses, Gray**

#EHB20S **\$1.30**



**Bulldog™ Safety Glasses, Clear**

#EHF10S **\$1.30**



**Eyesaline® Emergency Eye/Face Wash, Double Bottle Wall Station, 32 oz Bottles**

#SS0032 **\$54.99**



**Disposable Lens Cleaning Station, 1,200 Tissues, 16 oz Lens Cleaner Spray**

#SS0102 **\$10.00**



**First Aid Kit, Metal, ANSI Class B, 100 Person**

#SS0097 **\$174.25**



**First Aid Kit w/ Eye Wash, Plastic, 10 Person**

#SS0098 **\$22.99**



**First Aid Kit, Plastic, ANSI Class A, 25 Person**

#SS0100 **\$34.25**



**First Aid Kit, Metal, ANSI Class A, 50 Person**

#SS0101 **\$53.25**

**Vinnie, Product Specialist**

“Need more run time? Our CP Diesel Generators offer an external fuel hookup, giving you the ability to run your generator for as long you need!”



**CPG 25 Mobile Diesel Generator w/ Trailer, 25 KVA**

Item # **CPG 25 T4F**

- Rated Frequency: 60 Hz
- Rated Prime Power (PRP) 3ø: 20 kW / 25 kVA
- Rated Standby Power (ESP) 3ø: 22 kW / 28 kVA
- Fuel Capacity: 72.5 gal
- Fuel Cons. at Full Load: 1.63 gal/hr
- US EPA Tier 4 Final



**CPG 45 Mobile Diesel Generator w/ Trailer, 45 KVA**

Item # **CPG 45 T4F**

- Rated Frequency: 60 Hz
- Rated Prime Power (PRP) 3ø: 36 kW / 45 kVA
- Rated Standby Power (ESP) 3ø: 40 kW / 50 kVA
- Fuel Capacity: 72.5 gal
- Fuel Cons. at Full Load: 2.76 gal/hr
- US EPA Tier 4 Final



**CPG 70 Mobile Diesel Generator w/ Trailer, 70 KVA**

Item # **CPG 70 T4F**

- Rated Frequency: 60 Hz
- Rated Prime Power (PRP) 3ø: 56 kW / 70 kVA
- Rated Standby Power (ESP) 3ø: 60 kW / 75 kVA
- Fuel Capacity: 110 gal
- Fuel Cons. at Full Load: 3.95 gal/hr
- US EPA Tier 4 Final



**110 CFM Mobile Diesel Air Compressor**

Item # **CPS 110**

- Free Air Delivery @ Effective Working Pressure: 110 cfm
- Normal Effective Working Pressure: 100 psig
- Max Unloaded Pressure: 115 psig
- Min. Working Pressure: 58 psig
- Fuel Capacity: 7.5 gal
- Fuel Consumption: 1.3 gal/hr
- Engine Emissions Level: Tier 4 Final



**185 CFM Mobile Diesel Air Compressor**

Item # **CPS 185**

- Free Air Delivery @ Effective Working Pressure: 185 cfm
- Normal Effective Working Pressure: 100 psig
- Max Unloaded Pressure: 125 psig
- Min. Working Pressure: 58 psig
- Fuel Capacity: 20 gal
- Fuel Consumption: 2.5 gal/hr
- Engine Emissions Level: Tier 4 Final



**250 CFM Mobile Diesel Air Compressor**

Item # **CPS 250**

- Normal Effective Working Pressure: 100 – 125 – 150 psig
- Max Unloaded Pressure: 125 psig
- Min. Working Pressure: 58 psig
- Fuel Capacity: 23 gal
- Fuel Consumption: 3.43 gal/hr
- Engine Emissions Level: Tier 4 Final



**400 CFM Mobile Diesel Air Compressor**

Item # **CPS 400**

- Free Air Delivery @ Effective Working Pressure: 440/400 cfm
- Normal Effective Working Pressure: 100/150 psig
- Max Unloaded Pressure: 175 psig
- Min. Working Pressure: 58 psig
- Fuel Capacity: 52 gal
- Fuel Consumption: 6.5/7.3 gal/hr
- Engine Emissions Level: Tier 4 Final



**Mobile Diesel Surface Pump, 2250 GPM Max Capacity**

- Max Capacity: 2,250 US gpm
- Max Head: 167 ft
- Max Solids Handling: 3"
- Fuel Consumption: 3.5 gal/hr
- Engine Specs: 74 hp, 2,200 rpm
- Engine Emissions Level: Tier 4 Final
- Dimensions: 150" L x 76" W x 72" H
- Weight: 4,085 lbs







**2" Electric Submersible Dewatering Pump**

Item # **LB-480**

- Discharge Bore: 2"
- Max Capacity: 62.4 ft
- Max Head: 39 ft
- Max Water Temp: 104° F
- Motor Specs: 2/3 hp, single phase



**1-1/2" Pro Series Metallic Double Diaphragm Pump**

Item # **666150-362-C**

- Inlet/Outlet Size: 1-1/2"
- Flow Rate: 90 gpm
- Max Temp: 150° F
- Max Suspended Solid Sizes: 3/32
- Air Inlet: 1/2" fnpt



**2" Engine Powered Trash Pump**

Item # **EPT3-50HA**

- Max Capacity: 190 gpm
- Max Head: 90 ft
- Discharge/Suction Connection: 2" NPT Coupling
- Max Suction Lift: 26 ft
- Engine Specs: 5.5 hp, 3600 rpm



**3" Engine Powered Trash Pump**

Item # **EPT3-80HA**

- Max Capacity: 360 gpm
- Max Head: 96 ft
- Discharge/Suction Connection: 3" NPT Coupling
- Max Suction Lift: 26 ft
- Engine Specs: 8.0 hp, 3600 rpm

**Vinnie, Product Specialist**

"Looking for recommendations on bolting equipment? Ask your Sales Rep to invite our Bolting Specialist, John Gibbs, to your job-site. John can provide demos, training and consultation on all types of bolting equipment."



**Cordless Hydraulic Pump w/ 2 Batteries and Charger, 120 in<sup>3</sup> Oil Capacity**

Item # **XC1502TB**

- Max Operating Pressure: 10,000 psi
- Reservoir Capacity: 120 in<sup>3</sup>
- Max Flow at Rated Pressure: 15 in<sup>3</sup>/min
- Flow Rate at 2000 psi: 30 in<sup>3</sup>/min
- Flow Rate w/ No Load: 125 in<sup>3</sup>/min



**Portable Electric Hydraulic Torque Wrench Pump w/ Heat Exchanger, 0.5 gal Usable Oil Capacity**

Item # **PMU10427Q**

- Max Operating Pressure: 10,000 psi
- Reservoir Capacity: 116 in<sup>3</sup>
- Max Flow at Rated Pressure: 20 in<sup>3</sup>/min
- 1st State Flow Rate: 200 in<sup>3</sup>/min
- 2nd Stage Flow Rate: 20 in<sup>3</sup>/min



**Electric Hydraulic Torque Wrench Pump w/ 2 Manifolds, 1 gal Useable Oil Capacity**

Item # **ZU4204BB-QHR**

- Max Operating Pressure: 10,000 psi
- Reservoir Capacity: 277 in<sup>3</sup>
- Max Flow at Rated Pressure: 60 in<sup>3</sup>/min
- Flow Rate at 100 psi: 700 in<sup>3</sup>/min
- Flow Rate at 700 psi: 535 in<sup>3</sup>/min
- Flow Rate at 5,000 psi: 76 in<sup>3</sup>/min



**Electric Hydraulic Torque Wrench Pump w/ 2 Manifolds, 1 gal Useable Oil Capacity w/ Cage**

Item # **ZU4204BB-QHR**

- Max Operating Pressure: 10,000 psi
- Reservoir Capacity: 277 in<sup>3</sup>
- Max Flow at Rated Pressure: 60 in<sup>3</sup>/min
- Flow Rate at 100 psi: 700 in<sup>3</sup>/min
- Flow Rate at 700 psi: 535 in<sup>3</sup>/min
- Flow Rate at 5,000 psi: 76 in<sup>3</sup>/min



**Electric Hydraulic Torque Wrench Pump w/ 4 Manifolds, 1 gal Useable Oil Capacity**

Item # **ZU4204BB-QHM**

- Max Operating Pressure: 10,000 psi
- Reservoir Capacity: 277 in<sup>3</sup>
- Max Flow at Rated Pressure: 60 in<sup>3</sup>/min
- Flow Rate at 100 psi: 700 in<sup>3</sup>/min
- Flow Rate at 700 psi: 535 in<sup>3</sup>/min
- Flow Rate at 5,000 psi: 76 in<sup>3</sup>/min



**Compact Pneumatic Torque Wrench Pump, 0.5 gal Useable Oil Capacity**

Item # **PTA-1404-Q**

- Max Operating Pressure: 10,000 psi
- Reservoir Capacity: 1 gal
- 1st State Flow Rate: 240 in<sup>3</sup>/min
- 2nd Stage Flow Rate: 20 in<sup>3</sup>/min
- Air Consumption 40 scfm @ 100 psi



**Pneumatic Torque Wrench Pump, 1 gal Useable Oil Capacity**

Item # **ZA4204TX-Q**

- Max Operating Pressure: 10,000 psi
- Reservoir Capacity: 231 in<sup>3</sup>
- Max Flow Rate at Rated Pressure: 80 in<sup>3</sup>/min
- Flow Rate at 100 psi: 600 in<sup>3</sup>/min
- Flow Rate at 700 psi: 500 in<sup>3</sup>/min
- Flow Rate at 5,000 psi: 80 in<sup>3</sup>/min
- Air Consumption: 20-100 scfm



**Vinnie, Product Specialist**

“These torque wrenches are equipped with RAD’s patented drive system, giving them some of the highest power-to-weight ratios in the industry. They’ll let you tackle the toughest jobs with ease.”



**34GX 1" Drive Pneumatic Torque Wrench**

Item # **34GX**

- Square Drive: 1"
- Min Torque at 22 psi: 1,000 ft/lbs
- Max Torque at 91 psi: 3,400 ft/lbs
- Free Speed: 12 r/min
- Rec. Hose Size: 1/2"
- Air Inlet Thread: 3/8"
- Weight: 13.5 lbs



**85GX 1-1/2" Drive Pneumatic Torque Wrench**

Item # **85GX**

- Square Drive: 1-1/2"
- Min Torque at 22 psi: 3,000 ft/lbs
- Max Torque at 91 psi: 8,500 ft/lbs
- Free Speed: 4.5 r/min
- Rec. Hose Size: 1/2"
- Air Inlet Thread: 1/2"
- Weight: 38.5 lbs



**110DX 1-1/2" Drive Pneumatic Torque Wrench**

Item # **110DX**

- Square Drive: 1-1/2"
- Min Torque at 22 psi: 4,000 ft/lbs
- Max Torque at 91 psi: 11,000 ft/lbs
- Free Speed: 3 r/min
- Rec. Hose Size: 1/2"
- Air Inlet Thread: 1/2"
- Weight: 42 lbs



**3/4" Square Drive Hydraulic Torque Wrench, 1,400 ft/lbs**

Item # **S1500X**

- Square Drive: 3/4"
- Typical Socket Range: 3/4" – 2"
- Optional Allen Key Range: 1/2" – 1"
- Min Torque Range: 195 ft/lbs
- Max Torque Range: 1,952 ft/lbs
- Weight: 7 lbs



**1" Square Drive Hydraulic Torque Wrench, 3,200 ft/lbs**

Item # **S3000X**

- Square Drive: 1"
- Typical Socket Range: 3/4" – 3-7/8"
- Optional Allen Key Range: 5/8" – 1-1/4"
- Min Torque Range: 323 ft/lbs
- Max Torque Range: 3,200 ft/lbs
- Weight: 12.3 lbs



**1-1/2" Square Drive Hydraulic Torque Wrench, 6,150 ft/lbs**

Item # **S6000X**

- Square Drive: 1-1/2"
- Min Torque Range: 615 ft/lbs
- Max Torque Range: 6,150 ft/lbs
- Weight: 20.2



**1-1/2" Square Drive Hydraulic Torque Wrench, 11,000 ft/lbs**

Item # **S11000X**

- Square Drive: 1-1/2"
- Typical Socket Range: 1-7/16" – 4-5/8"
- Optional Allen Key Range: 1-3/4" – 1-3/4"
- Min Torque Range: 1,100 ft/lbs
- Max Torque Range: 11,000 ft/lbs
- Weight: 34.67 lbs



**2-1/2" Square Drive Hydraulic Torque Wrench, 26,150 ft/lbs**

Item # **S25000X**

- Square Drive: 2-1/2"
- Typical Socket Range: 2-3/8" – 10"
- Optional Allen Key Range: 2-7/16" – 6-1/8"
- Min Torque Range: 2,615 ft/lbs
- Max Torque Range: 25,150 ft/lbs
- Weight: 68.34 lbs



**2-1/2" Square Drive Hydraulic Torque Wrench, 52,500 ft/lbs**

Item # **RT50**

- Square Drive: 2-1/2"
- Min Torque Range: 7,875 ft/lbs
- Max Torque Range: 52,500 ft/lbs
- Weight: 96 lbs



**Extended Reaction Arms**

Available in many sizes for the following wrenches:

- Item # **S1500X**
- Item # **S3000X**
- Item # **S6000X**
- Item # **S11000X**
- Item # **S25000X**



**Reaction Tube Extensions**

Available in many sizes for the following wrenches:

- Item # **S1500X**
- Item # **S3000X**
- Item # **S6000X**
- Item # **S11000X**
- Item # **S25000X**



TESTED  CERTIFIED



ENERPAC

**Low Profile Hydraulic Torque Wrench, 2,000 ft/lbs**

Item # **W2000**

- Minimum Torque: 204 ft/lbs
- Max Torque: 2,040 ft/lbs
- Hexagon Range: 1-1/8" to 2-3/8"
- Max Operating Pressure: 10,000 psi



ENERPAC

**Low Profile Hydraulic Torque Wrench, 4,000 ft/lbs**

Item # **W4000**

- Minimum Torque: 418 ft/lbs
- Max Torque: 4,175 ft/lbs
- Hexagon Range: 1-15/16" to 3-3/8"
- Max Operating Pressure: 10,000 psi



ENERPAC

**Low Profile Hydraulic Torque Wrench, 8,000 ft/lbs**

Item # **W8000**

- Minimum Torque: 847 ft/lbs
- Max Torque: 8,470 ft/lbs
- Hexagon Range: 1-7/8" to 4-1/8"
- Max Operating Pressure: 10,000 psi



ENERPAC

**Low Profile Hydraulic Torque Wrench, 15,000 ft/lbs**

Item # **W15000**

- Minimum Torque: 1,533 ft/lbs
- Max Torque: 15,300 ft/lbs
- Hexagon Range: 1-7/16" to 4-5/8"
- Max Operating Pressure: 10,000 psi



ENERPAC

**Low Profile Hydraulic Torque Wrench, 22,000 FT/LBS**

Item # **W22000**

- Minimum Torque: 2,250 ft/lbs
- Max Torque: 22,500 ft/lbs
- Hexagon Range: 2-15/16" to 5-3/8"
- Max Operating Pressure: 10,000 psi



ENERPAC

**Low Profile Hydraulic Torque Wrench, 35,000 FT/LBS**

Item # **W35000**

- Minimum Torque: 3,500 ft/lbs
- Max Torque: 35,000 ft/lbs
- Hexagon Range: 3-1/8" to 6-1/8"
- Max Operating Pressure: 10,000 psi



ENERPAC

**Cassettes for Enerpac Low Profile Hydraulic Torque Wrenches**

Available in many sizes for the following wrenches:

- Item # **W2000**
- Item # **W4000**
- Item # **W8000**
- Item # **W15000**
- Item # **W22000**
- Item # **W35000**



ENERPAC

**Hex Reducers for Enerpac Low Profile Hydraulic Torque Wrenches**

Available in many sizes for the following wrenches:

- Item # **W2000**
- Item # **W4000**
- Item # **W8000**
- Item # **W15000**
- Item # **W22000**
- Item # **W35000**



ENERPAC

**Extended Reaction Arms**

Available in many sizes for the following wrenches:

- Item # **W2000**
- Item # **W4000**
- Item # **W8000**
- Item # **W15000**
- Item # **W22000**
- Item # **W35000**

**Vinnie, Product Specialist**

"Did you know your wrenches need to be calibrated once a year? It can be a massive hassle to send wrenches out for service, which is why our Bolting Specialist, John, drives a van with laboratory quality testing and repair equipment. John will drive the van to your shop or job-site, and calibrate or repair your equipment on the spot."





Midland Tool & Supply and Superior Tool Rental & Repair work together to provide high quality products, rentals, equipment repair and several unique services to job-sites across the nation.

Our companies are headquartered in Oak Park, Michigan (Greater Detroit), with a branch office in Calumet City, Illinois (Greater Chicago) and Madison, Illinois (Greater St. Louis). Each of our locations have meeting space for important conversations with customers and vendors, a dedicated fleet of delivery vehicles, and warehouse space to keep over 10,000 products and rentals in immediate supply.



## SERVICES



Over 10,000 Products & Rentals



Industrial Tool & Equipment Rental



Delivery Via Private Fleet or FedEx



24/7 – 365 Emergency Service & Delivery



On-Site Supply Programs



On-Site Bolting Services



Product & Rental Demo Trailers



On-Site Weld Testing Facilities



Customer Repair & Warranty Service Center



Calibration, Testing & Certification

## AWARDS



## AFFILIATIONS

- National Association of Construction Boilermaker Employers (NACBE)
- Association for Iron & Steel Technology (AIST)
- Construction Association of Michigan (CAM)
- The Association of Union Contractors (TAUC)
- American Rental Association (ARA)
- Specialty Tools and Fasteners Distributors Association (STAFDA)
- Southern Michigan Chapter of the National Electrical Contractors Association (SMCNECA)
- Northwest Indiana Business Round Table (NWIBRT)
- Indiana Constructors (ICI)
- Associated Builders and Constructors (ABC)

**Call to Order**  
877.446.4352

**LOCATIONS**  
Greater Detroit  
Greater Chicago  
Greater St. Louis

**GO ONLINE**  
[www.midlandtool.com](http://www.midlandtool.com)  
[www.superiortoolrental.com](http://www.superiortoolrental.com)

**GET SOCIAL**  
f i y in





# PRODUCTS

- Abrasives & Grinding
- Air Tools & Accessories
- Anchors
- Bolting Tools
- “C” Clamps
- Cleaning Supplies
- Communications
- Concrete Tools
- Cutting Torches & Accessories
- Dewatering Supplies
- Dirt Work Supplies
- Drilling & Fastening
- Electrician Tools & Equipment
- Fall Protection
- Fire Extinguishers
- Flange Alignment
- FR Clothing & Gloves
- Gas Detection
- General Shop & Job-site Supplies
- Generators
- Gloves
- Hand Tools (Small & Large)
- Hoists & Rigging Equipment
- Hydraulics & Material Handling
- Hydraulic Tools
- Janitorial Supplies
- Jobsite Storage Boxes
- Ladders
- Locks
- Lockout/Tagout
- Lubricants
- Oxyfuel Cutting
- Paint & Painting Supplies
- Personal Protection Equipment (PPE)
- Plumbing Tools
- Power Cords & Lighting
- Power Tools
- Refractory & Bricklayers Tools
- Respiratory
- Rigging & Rigging Hardware
- Rope & Buckets
- Safety Equipment

- Seasonal Products
- Shop & Office Supplies
- Site Work Supplies
- Steel Erection Tools
- Tarps & Visqueen
- Threading & Piping Tools
- Ventilation
- Welders
- Welding Apparel & Gloves
- Welding Consumables
- Welding Rod



# RENTALS

- Air Compressors (Diesel & Electric)
- Air Handling Accessories
- Air Hoists
- Air Lifting Bags
- Air Tuggers
- Back Up Tools
- Beam Trolleys
- Beam Clamps
- Bench Rammers
- Blow Pipes
- Bolt Tension Calibrator
- Bolting (Hydraulic, Pneumatic & Manual)
- Brick Handling Bins
- Chain Containers
- Chain Hoists
- Chain Saws (Pneumatic)
- Chipping Hammers
- Clamps
- Clay Diggers
- Communications (2-Way Radios)
- Concrete Equipment
- Concrete & Steel Saws
- Concrete Vibrators
- Contractor Lifts
- Core Drills
- Dynafor Load Indicator
- Duct Hoists
- Electrician Tools (Bending, Pulling, Crimping & Punching)
- Flange Spreaders (Hydraulic & Manual)
- Heaters
- Gas Burning Stations
- Generators
- Griphoists
- Hoists (Electric)
- Holiday Detectors
- Hydraulic Cylinders
- Hydraulic Nut Splitters/Cutters
- Hydraulic Pumps
- Hydraulic Punches
- Hydrostatic Test Pumps
- Impact Wrenches, Sockets & Attachments
- Lever Hoists
- Light Towers
- Machinery Rollers
- Magnetic Drill Presses
- Material Baskets
- MIG Guns
- Motor Trolleys (Pneumatic)
- Nibblers (Electric)
- Pavement Breakers
- Pipe Beveling Equipment
- Pipe Fabrication Tools
- Pipe Threaders
- Plasma Cutters
- Power Distribution Panels
- ProPress® Pipe Tools
- Pumps
- Ratchet Binders
- Rail Saw & Drill
- Rivet Busters, Accessories & Steel
- Rock Drills, Accessories & Steel
- Roll Groovers
- Rotary Hammers (Pneumatic)
- Roust-A-Bouts
- Shackles
- Skip Pans
- Slings (Nylon & Wire Rope)
- Specialty & Non-Spark Air Tools
- Snatch Blocks
- Swivels
- Thickness Gauges
- Trench Roller
- Turnbuckles
- Ventilation & Air Movers
- Wedge Sockets
- Welders & Welding Equipment
- Winches (Electric)





03/23/22



877.446.4352  
[www.midlandtool.com](http://www.midlandtool.com)  
[www.superiortoolrental.com](http://www.superiortoolrental.com)

GET SOCIAL

