



HOLEMAKING

Piece Maker™ Knockout Sets

- Designed to split the slug into two pieces for easy removal
- Requires less force than conventional punches
- Fast set-up
- High-strength steel punches and dies for long life
- Reduces punch time versus manual or ratchet methods
- Unique hand pump design with heavy duty ram
- Designed to punch a maximum of 10 gauge (.134") mild steel
- Compare with Greenlee® Slug-Buster® Models 7306SB and 7310SB*
- Made in the USA

All items including punches & dies will fit Greenlee® Knockout Sets!



Model 152PM

Scan here for manual



Piece Maker™ Punches are designed to split the slug into two pieces for easy removal from die after punch completion

Catalog Number	Description	Weight	
152PM	1/2" – 2" Piece Maker™ Hydraulic Knockout Set with plastic case	27 lbs.	UPC 811993021268
152PM-MC	1/2" – 2" Piece Maker™ Hydraulic Knockout Set with metal case	29 lbs.	UPC 811993021275
154PM	1/2" – 4" Piece Maker™ Hydraulic Knockout Set with metal case	54 lbs.	UPC 811993021282

*Greenlee® and Slug-Buster® are registered trademarks of Greenlee Tools, Inc.



Current Tools
FOR THE PROFESSIONAL ELECTRICIAN

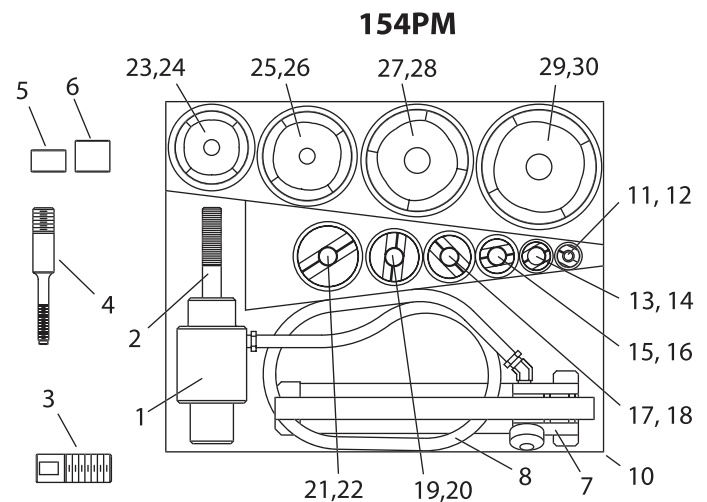
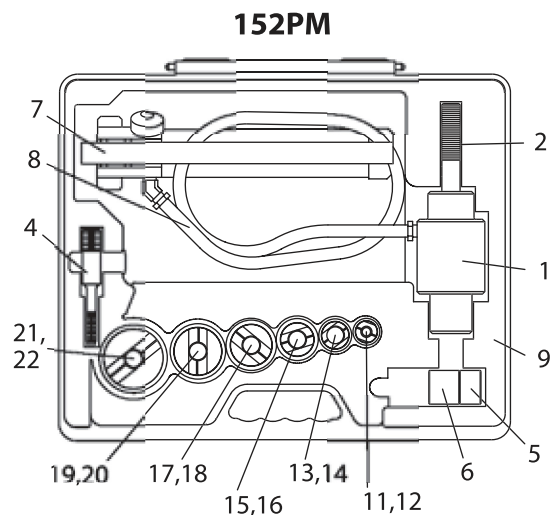
www.currenttools.com

P.O. Box 17026 • Greenville, SC 29606 • 864.721.4230 • fax 864.721.4232 • 800.230.5421



Piece Maker™ Knockout Sets

Item Number	Catalog Number	Description	#152PM 1/2" to 2"	#154PM 1/2" to 4"	UPC
1	1522	Ram (Includes #2)	1	1	UPC 811993021411
2	1582	3/4" Draw Stud	1	1	UPC 811993021107
3	1552	1 1/8" Adapter		1	UPC 811993021589
4	1581	3/8" Draw Stud	1	1	UPC 811993021091
5	1553	Short Spacer - S	1	1	UPC 811993020001
6	1554	Medium Spacer - M	1	1	UPC 811993020018
7	1521	Hydraulic Hand Pump	1	1	UPC 811993021404
8	1523	1/4" x 3' Hydraulic Hose	1	1	UPC 811993021428
9	1500-PC	Plastic Carrying Case -1/2" to 2" Set	1		UPC 811993021367
10	1501	Metal Carrying Case -1/2" to 4" Set		1	UPC 811993021374
11	1524	1/2" Piece Maker™ Punch	1	1	UPC 811993020032
12	1525	1/2" Die	1	1	UPC 811993020049
13	1526	3/4" Piece Maker™ Punch	1	1	UPC 811993020056
14	1527	3/4" Die	1	1	UPC 811993020063
15	1528	1" Piece Maker™ Punch	1	1	UPC 811993020070
16	1529	1" Die	1	1	UPC 811993020087
17	1530	1 1/4" Piece Maker™ Punch	1	1	UPC 811993020094
18	1531	1 1/4" Die	1	1	UPC 811993020100
19	1532	1 1/2" Piece Maker™ Punch	1	1	UPC 811993020117
20	1533	1 1/2" Die	1	1	UPC 811993020124
21	1534	2" Piece Maker™ Punch	1	1	UPC 811993020131
22	1535	2" Die	1	1	UPC 811993020148
23	1566	2 1/2" Punch		1	UPC 811993021121
24	1567	2 1/2" Die		1	UPC 811993021138
25	1568	3" Punch		1	UPC 811993021145
26	1569	3" Die		1	UPC 811993021152
27	1570	3 1/2" Punch		1	UPC 811993021169
28	1571	3 1/2" Die		1	UPC 811993021176
29	1572	4" Punch		1	UPC 811993021183
30	1573	4" Die		1	UPC 811993021190
—	155-SET	Spacer Set S-M-L			UPC 811993021596
—	1500	Metal Carrying Case for 1/2" – 2" Set			UPC 811993021350



www.currenttools.com

Current Tools
FOR THE PROFESSIONAL ELECTRICIAN

P.O. Box 17026 • Greenville, SC 29606 • 864.721.4230 • fax 864.721.4232 • 800.230.5421